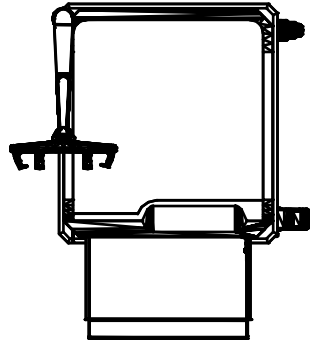
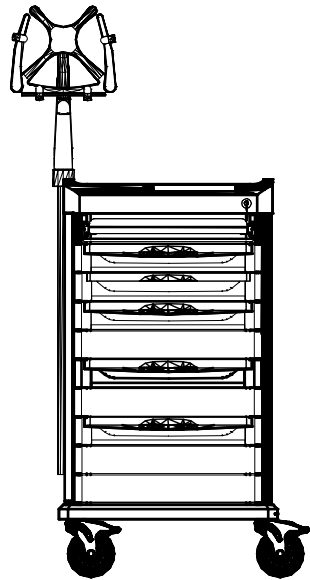


Notes:

- Dimensions Rounded to the Nearest 1/4 "
- Customer is Responsible for Site Preparation to Accommodate Product.
- Drawer Pulls to be Slate Blue.

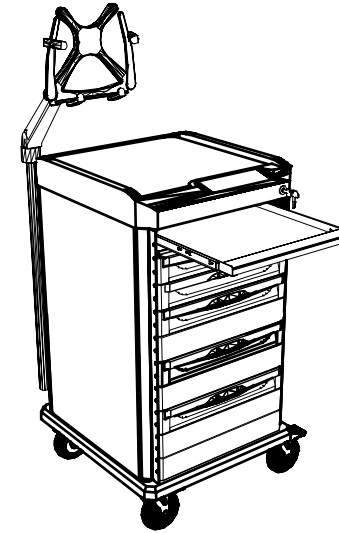


Plan View

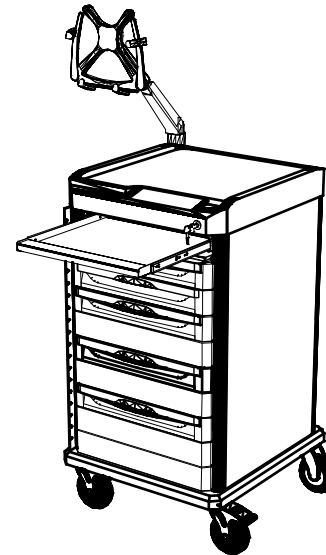


Elevation

Customer Approval



Perspective View (No Door)



Perspective View

Note: Pricing, descriptions, specifications drawings and all other information provided within this document are considered Confidential and intended for use solely by the designated party.



InterMetro Industries Corporation
 651 N. Washington Street
 Wilkes-Barre, PA 18705

Global Sales Support

Phone/ Fax: 800-581-3952

CUSTOMER NAME: **Novant Health**
 PROJECT NAME: **Ariba**
 DWG. TITLE: **HC 423-0211-Nov-22864-R0-Comp. Bedside Cart**
 QUOTE FILE: **HC 423-0211-Nov-22864-R0**

SCALE (ortho): **1/20**
 SHEET#: **1 OF: 1**
 DRAWN BY: **AA2**
 REVISED :

TERRITORY #: **423**
 ORIGIN: **M. Borjes**
 CREATION DATE: **2/18/2011**
 REVISION DATE: