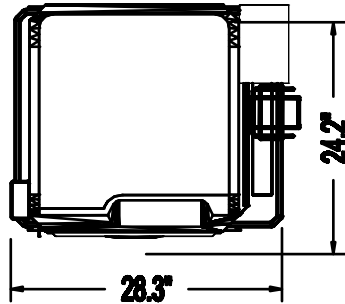
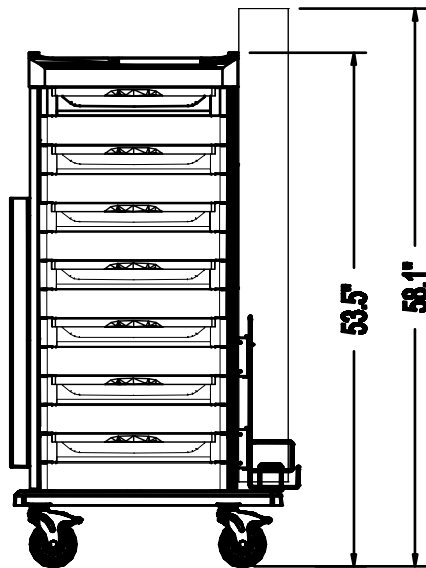


**Notes:**

- Dimensions Rounded to the Nearest 1/4".
- Customer is Responsible for Site Preparation to Accommodate Product.
- Drawer Pulls to be Slate Blue.

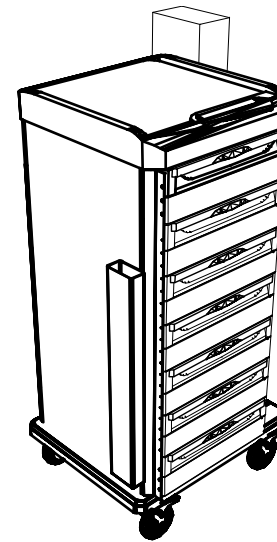


Plan View

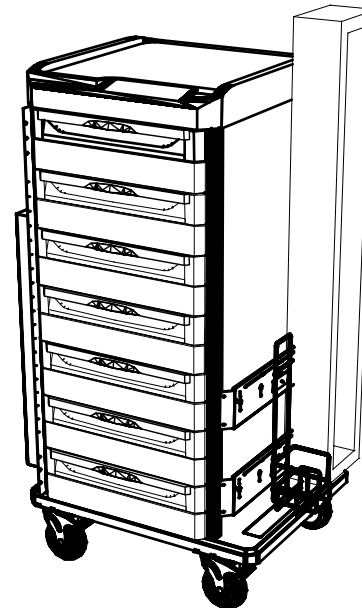


Elevation

**Customer Approval**



Perspective View (No Door)



Perspective View

**Note:** Pricing, descriptions, specifications drawings and all other information provided within this document are considered **Confidential** and intended for use solely by the designated party.



**InterMetro Industries Corporation**  
 651 N. Washington Street  
 Wilkes-Barre, PA 18705

Global Sales Support

Phone/ Fax: 800-581-3952

CUSTOMER NAME: **Novant Health**  
 PROJECT NAME: **Ariba**  
 DWG. TITLE: **HC 423-0211-Nov-22864-R0-Airway Cart**  
 QUOTE FILE: **HC 423-0211-Nov-22864-R0**

SCALE (ortho): **1/20**  
 SHEET#: **1 OF 1**  
 DRAWN BY: **AA2**  
 REVISED :

TERRITORY #: **423**  
 ORIGIN: **M. Borjes**  
 CREATION DATE: **2/18/2011**  
 REVISION DATE: